

Operating Mechanisms type MD and HD

For outdoor high voltage disconnectors

- Compact solution with clear assembly layout
- Zero possibility of over travel
- Possible to adapt switching angle of the auxiliary switch
- Corrosion free components
- Aluminum enclosure good for IP56 class protection
- Torque up to 1000 Nm
- Possible to connect to SCADA
- Good for -60° C to $+50^{\circ}$ C ambient temperature
- Compact PMDC motor for ac and dc supply voltage

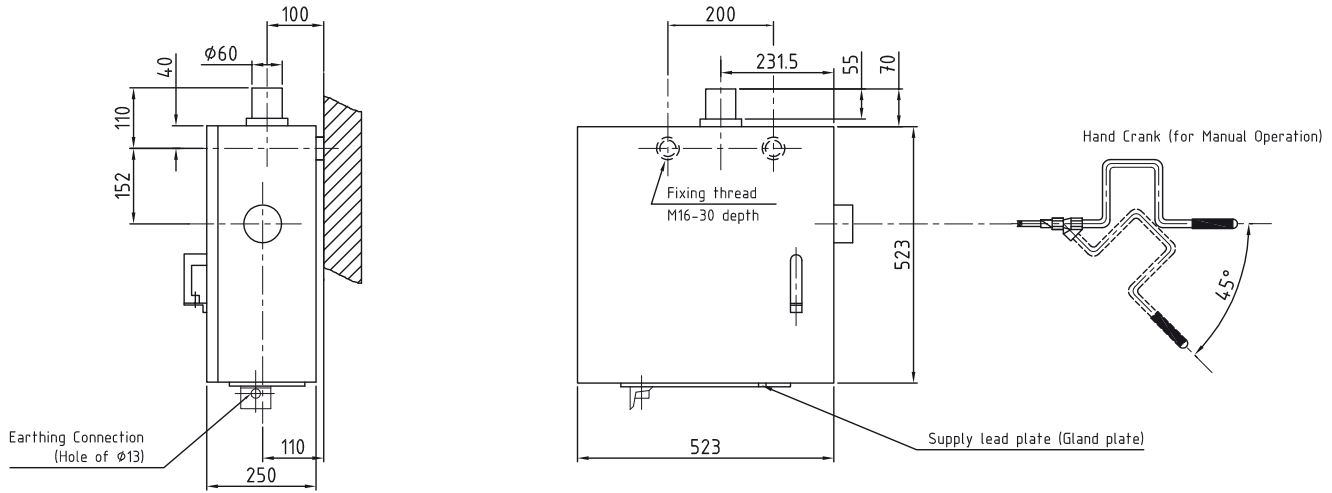


Technical data—MD50, MD100 and HD80

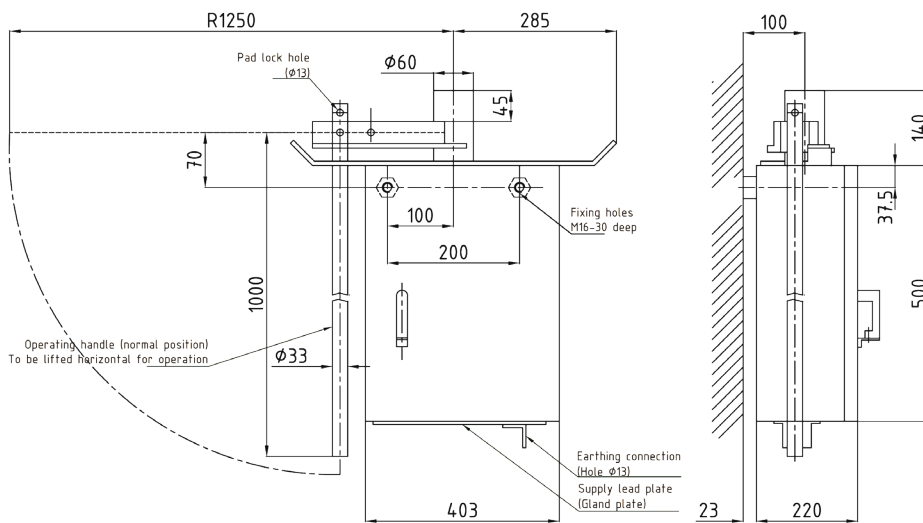
Characteristic	Unit	Motor operated	Hand operated
Type designation		MD50 and MD100	HD80
Maximum output torque	Nm	500 and 1000	500
Length of the operating lever	mm	-	1000
Torque required at the manual operating shaft for emergency operation for MD50/ MD100	Nm	5/ 7.5	
Rotations of crank for emergency operation for 190°C of operating shaft	turns	100 to 140	
Switching angle (Travel of operating shaft)	degree	190	190
Rated motor voltage	Vdc	60, 110, 125 or 220	-
	Vac	110 or 230 (50/60Hz) *)	-
Motor power	W	470	-
Switching time (depending on load)	s	6 – 12	-
Degree of protection	-	IP56	IP56
Control voltage	Vdc	60, 110, 125 or 220	60, 110, 125 or 220
	Vac	110 or 230 (50/60Hz)	110 or 230 (50/60Hz)
Power consumption of Blocking magnet (Pickup/ Holding)	W	7/ 7	7/ 7
	VA	60/ 9	60/ 9
Weight	kg	Around 40	Around 25

*) 3-phase AC on request

Motor drive MD



Hand drive HD



All dimensions are in mm

For more information please contact:

ABB Limited
High Voltage Products
 Maneja, Vadodara, 390013
 India
 Phone: +91 265 2638930
www.abb.co.in

ABB Limited operates a process of continuous product development. We therefore reserve the right to change designs, dimensions and data without prior notice.